

1) Weight  
280kg

2) Power  
 Mixing motor 5.5kw  
 Feeder motor 0.75kw  
 Water Pump 0.55kw

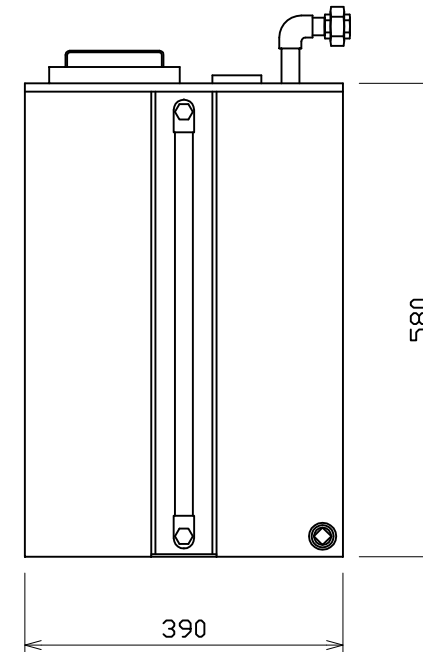
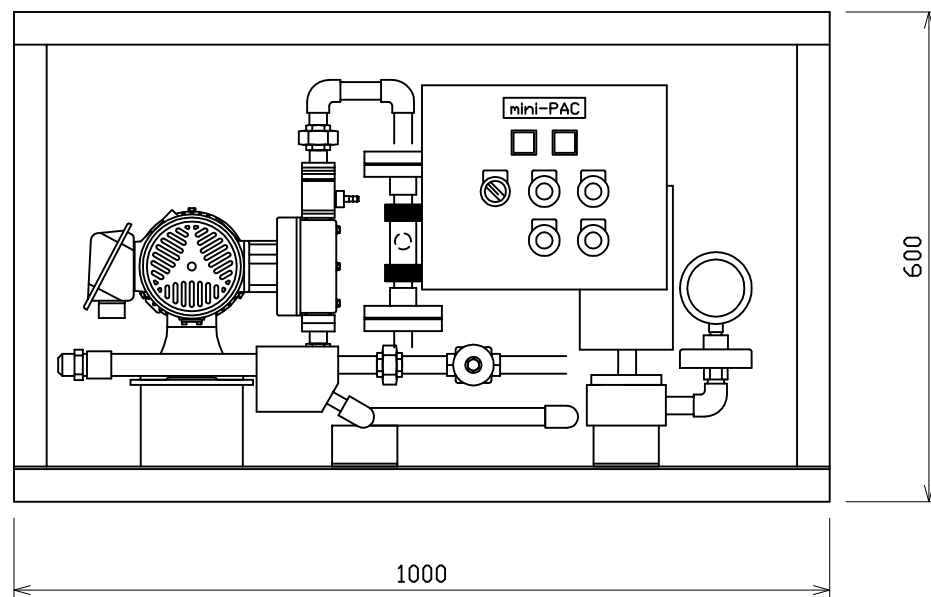
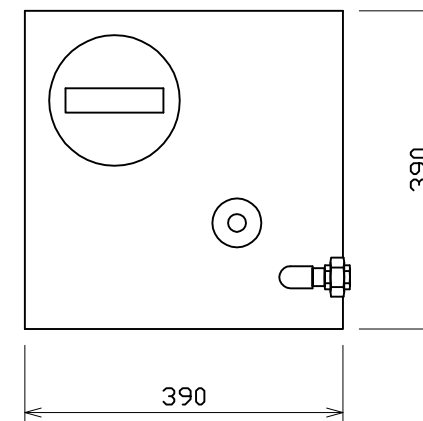
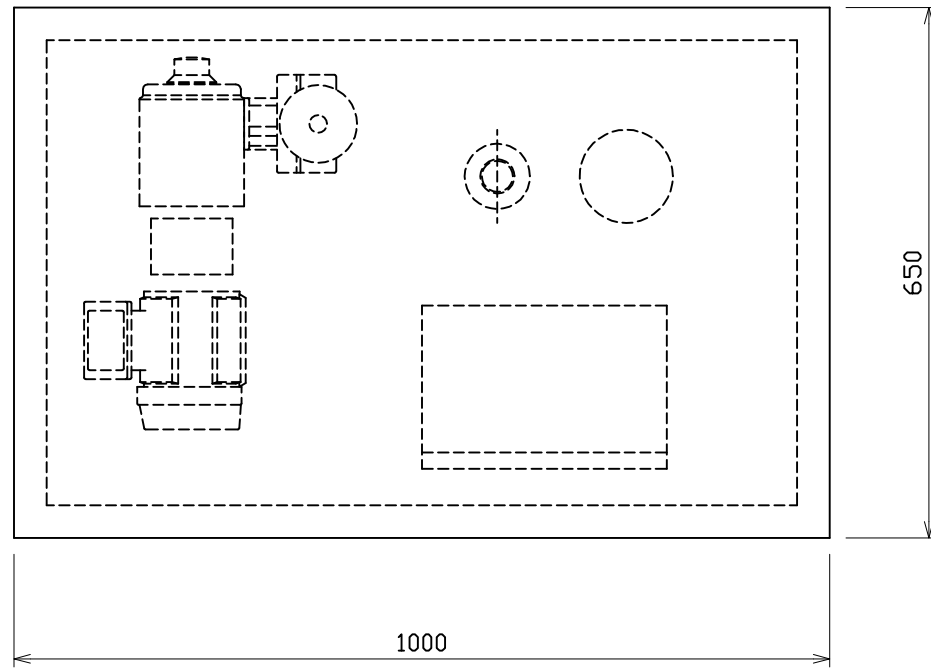
	BY	DATE	ISSUED	SCALE
APPD.			DATE	
CHKD.				
DSND.			APPD.	CLASS
DWN.	<i>M. Saghato</i>			

CUSTOMER

TITLE  
 M-COMP02  
 G4 MIXING PUMP

DWG. NO.

**M C M Co.,Ltd**



Accelerator Air-Mixing Unit  
 Weight : 135kg  
 Power : 0.2kw

Accelerator Tank  
 Weight : 25kg

	BY	DATE	ISSUED	SCALE
APPD.			DATE	
CHKD.				
DSND.			APPD.	CLASS
DWN.	<i>K.Sigimoto</i>			
CUSTOMER				
TITLE				
M-COMP02 Accelerator Unit&Tank				
DWG. NO.				
<b>M C M Co.,Ltd</b>				