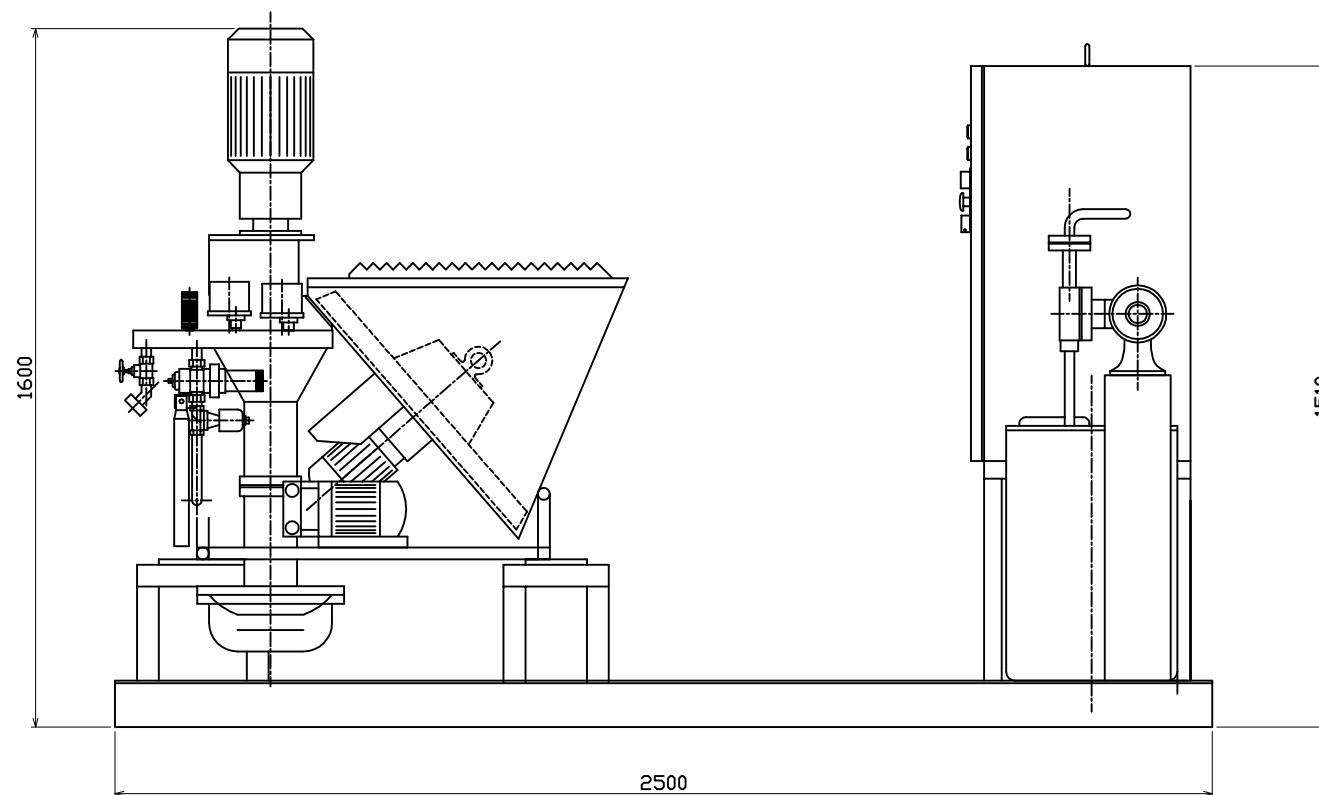
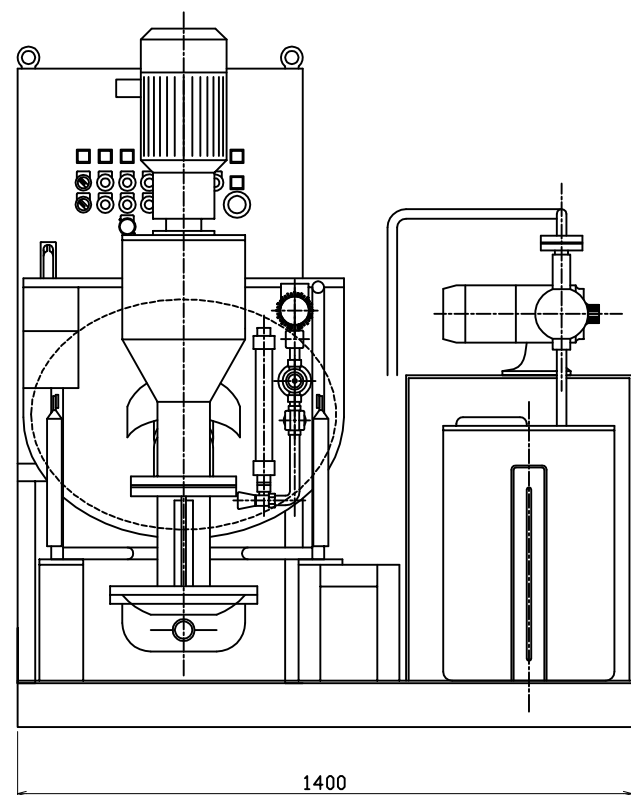
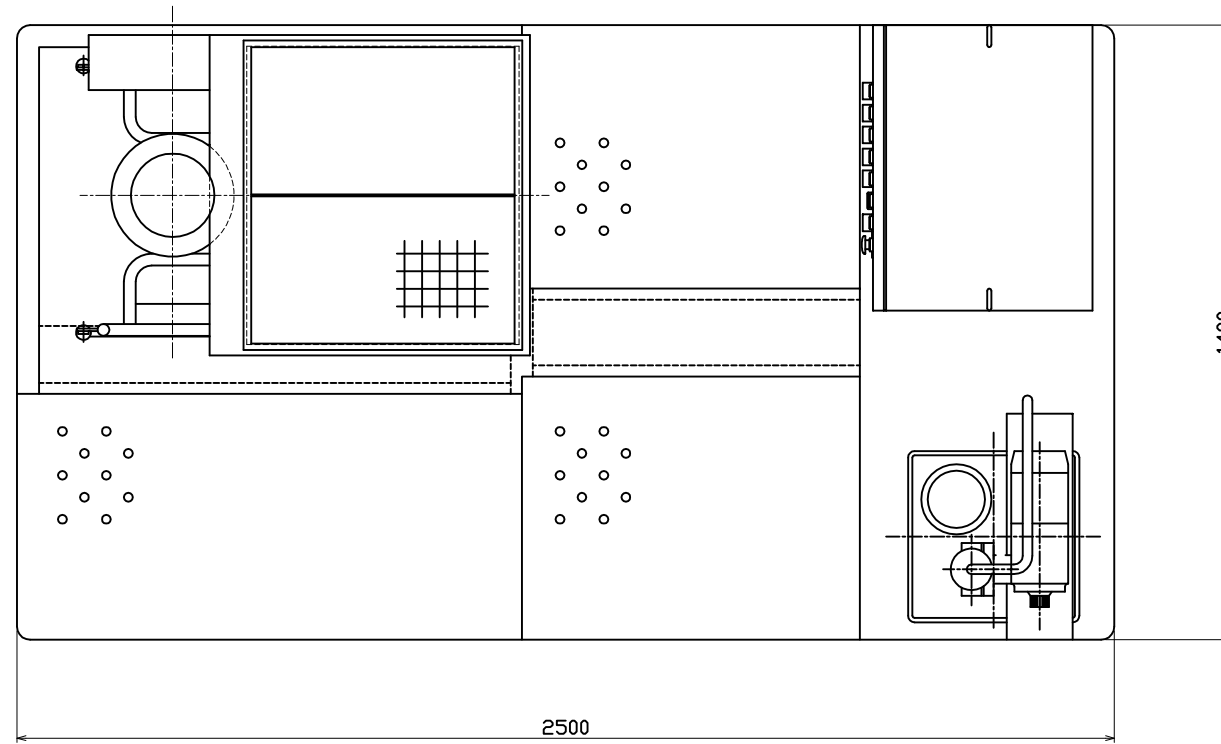


Piping Diagram



- 1) Power
  - Mixing motor 5.5kw
  - Feeder motor 0.75kw
  - Water pump 0.55kw

- 2) Weight
  - 750kg

APPD.	BY	DATE	ISSUED	SCALE
CHKD.			DATE	
DSND.			APPD.	CLASS
DWN.	As Required to			
CUSTOMER				
TITLE				
M-PAC2				
DWG. NO.				
<b>M C M Co.,Ltd</b>				