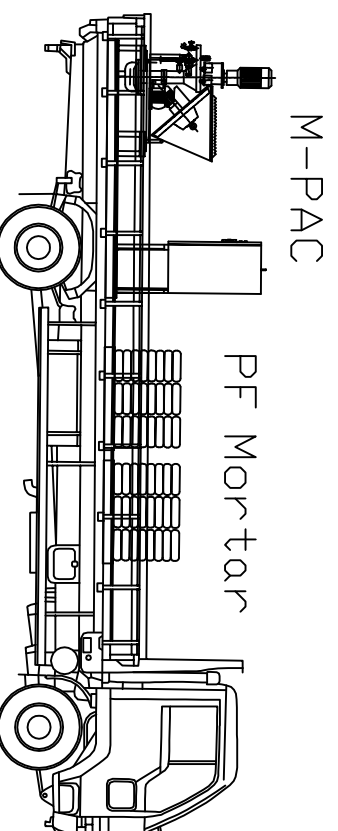


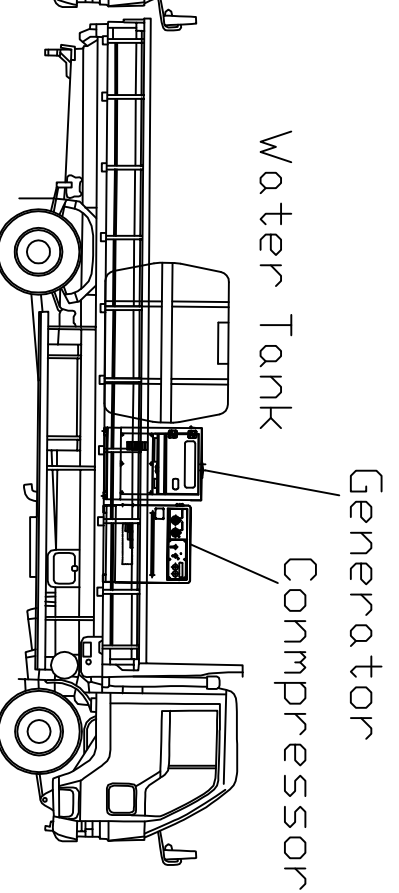
Aerial work platforms



M-PAC

PF Mortar

4t Track

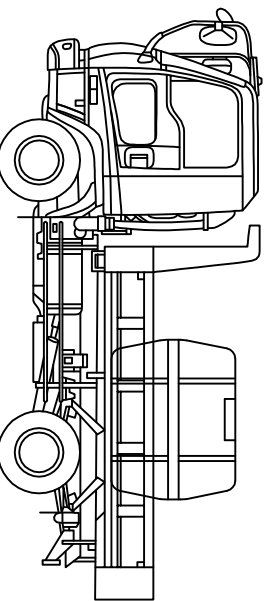


Generator

Water Tank

Compressor

4t Track



4t Dump (Waste material)